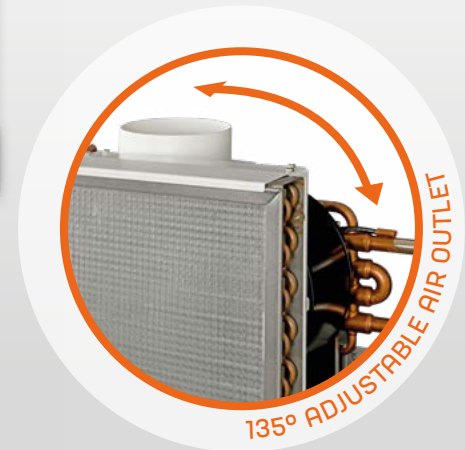




NEW 24000 BTU VERSION

## INVERTER BLDC HIGH PERFORMANCE SELF-CONTAINED UNIT



### ADVANTAGE OF USE

- Very compact design and low weight
- 50% higher energy efficiency compared to ON/OFF
- Highest comfort: silent operation and stable temperature
- Lowest consumption: 400 W max input power in ECO mode
- Elimination of peak current at start-up (only 2,5 A max)

### EASY INSTALLATION

The compact overall dimensions and low weight allow the installation onboard all types of boat

### ACCESSORIES



WI-FI MODULE WITH CONTROL APP

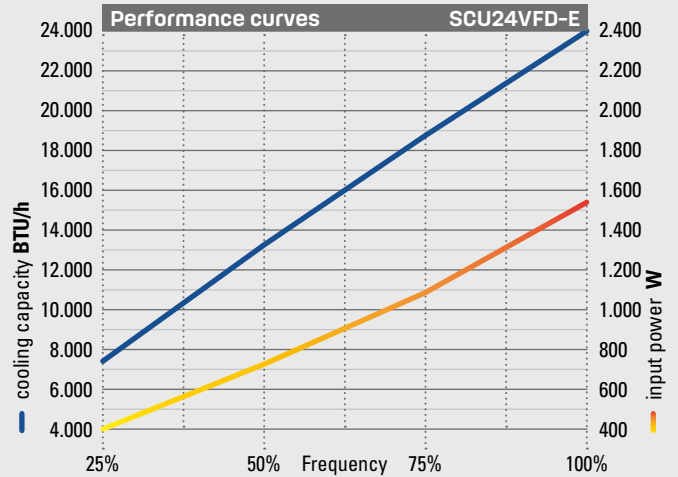


UVA/C LED AIR STERILIZER KIT



## SCU24VFD-E

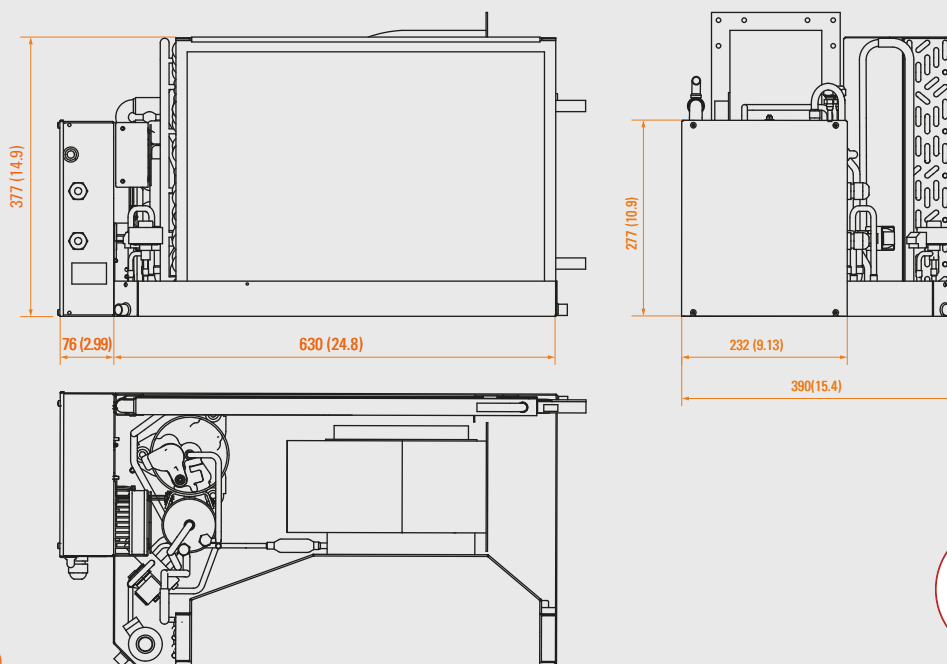
Max Cooling/Heating capacity  
**24.000 BTU/h**  
 Dimensions  
**600 x 390 x 377 mm**



### MODEL

	SCU24VFD-E
Width	630 mm - 24.8 in
Height*	377 mm - 14.9 in
Depth	390 mm - 15.4 in
Weight (including electrical box)	42 kg - 92.6 lb
Remote Electric box dimensions	232 x 277 x 76 mm - 9.13 x 10.90 x 2.99 in
Voltage/phase/ cycle	230 V / 1ph / 50-60 Hz
Max Cooling/Heating capacity	24.000 BTU/h
Max input power	1.550 W
Max Current	7,1 A
Energy label (EN14825)	A
Cooling capacity ECO**	7.100 BTU/h
Input power ECO mode**	400 W
Max seawater flow-pressure drop***	1,6 m <sup>3</sup> /h - 6 m H <sub>2</sub> O - 7.0 gpm - 19.7 feet H <sub>2</sub> O
Min seawater flow-pressure drop***	1,3 m <sup>3</sup> /h - 4 m H <sub>2</sub> O - 5.7 gpm - 13.1 feet H <sub>2</sub> O
Air exit duct diameter	180 mm - 7.08 in
Refrigerant R410A	0,750 kg - 1.65 lb

\* including electrical box \*\* minimum fan speed \*\*\* only considering the seawater condenser



dimensions in mm (inch)



MANUFACTURERS

FRIGOMAR s.r.l.

Via Vittorio Veneto, 112 - Loc. Rivarola - 16042 CARASCO (Genoa) Italy  
 Tel: +39 0185 38.48.88 - Fax: +39 0185 38.47.88 - E-mail: frigomar@frigomar.com

FRG-DS-SCU24-2024-01