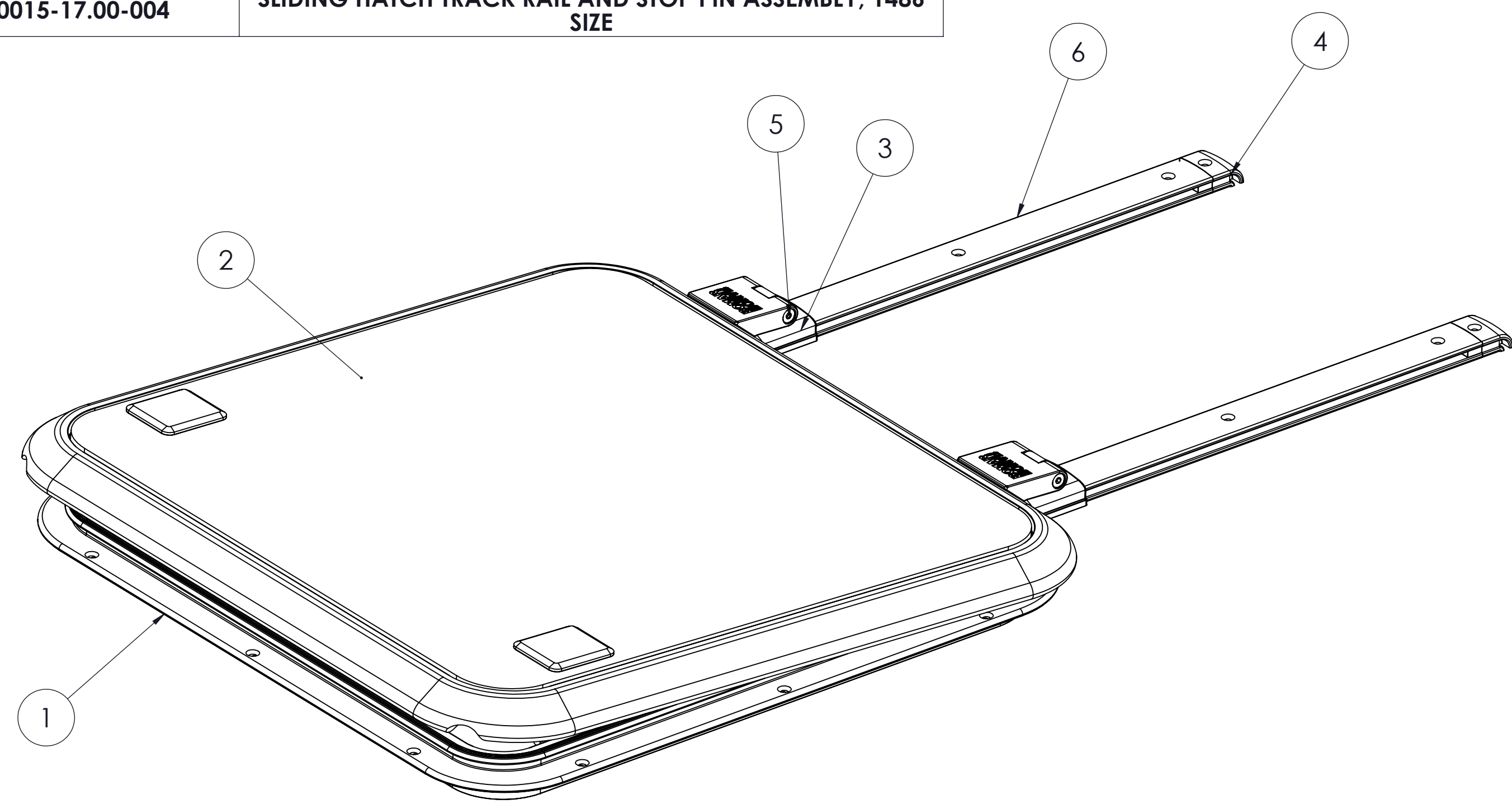

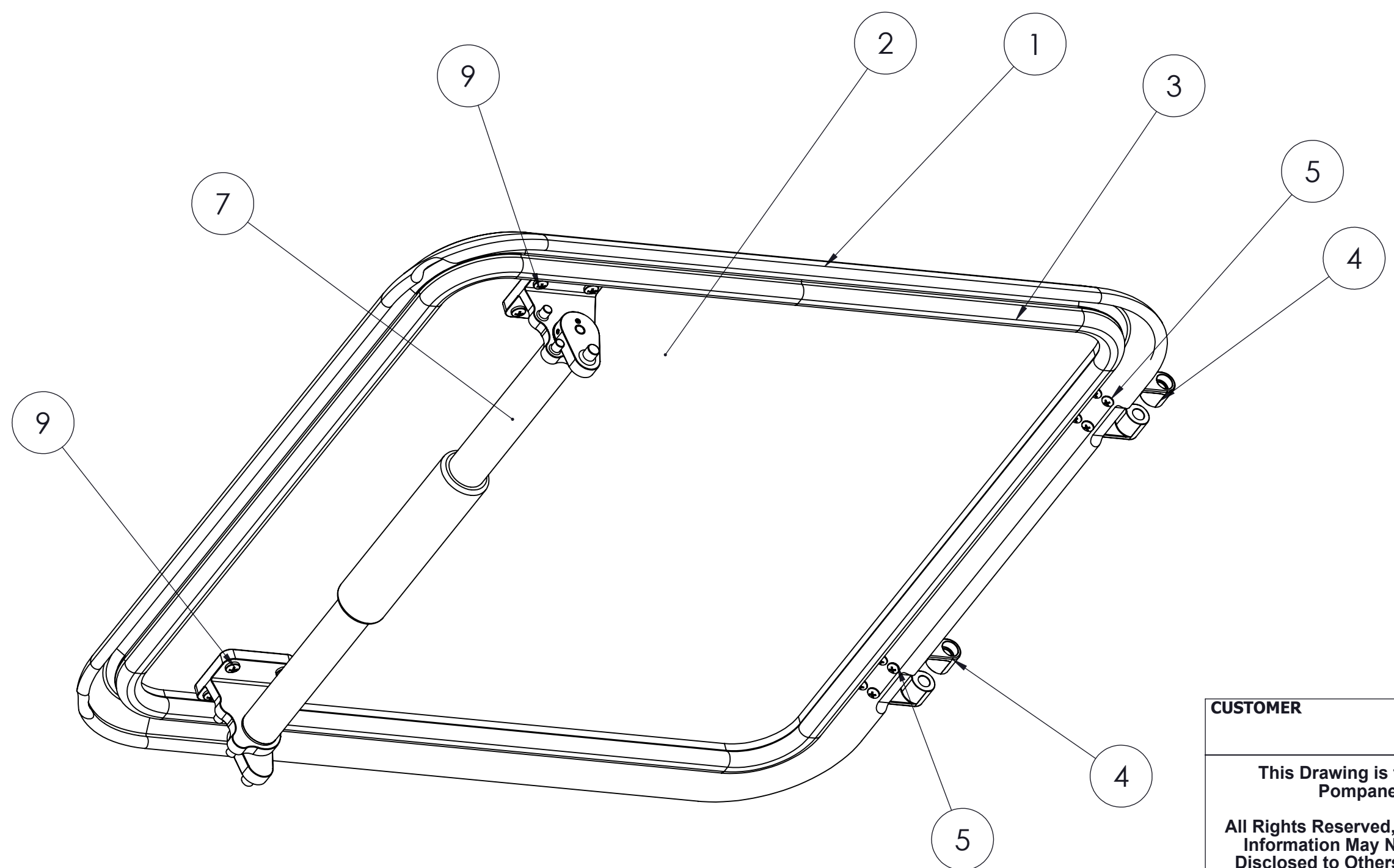
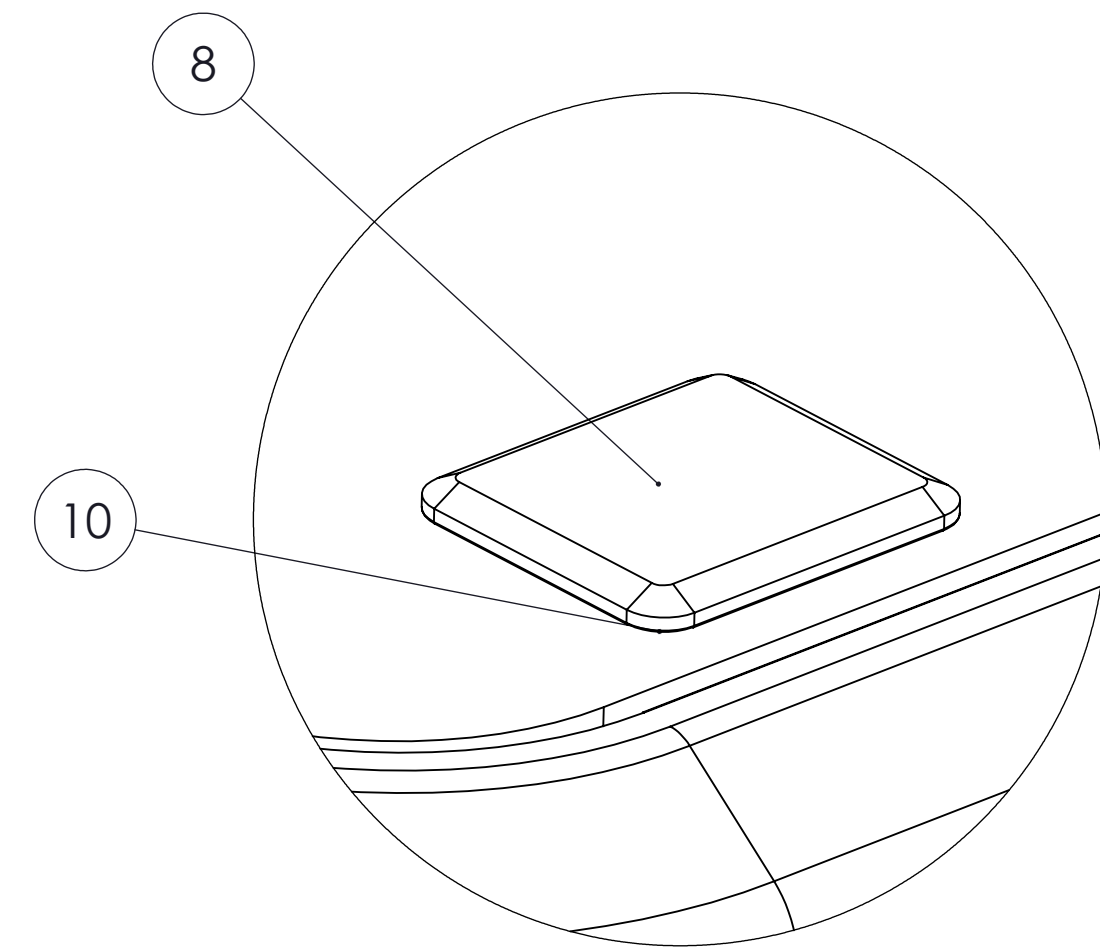



ITEM NO.	QTY.	PART NUMBER	DESCRIPTION
1	1	N1486-10-BASE-004	BASE FRAME ASSEMBLY, SLIDING HATCH
2	1	N1486-TOP-107-004	SLIDING HATCH LID ASSEMBLY
3	2	603-0014	SHUTTLE ASSEMBLY KIT, SLIDING HATCH
4	2	4300280	RAIL END CAP
5	2	4222047	SHOULDER SCREW, 5/16" SHOULDER, 1/4-20 X 5/16" THD, SS
6	2	603-0015-17.00-004	SLIDING HATCH TRACK RAIL AND STOP PIN ASSEMBLY, 1486 SIZE



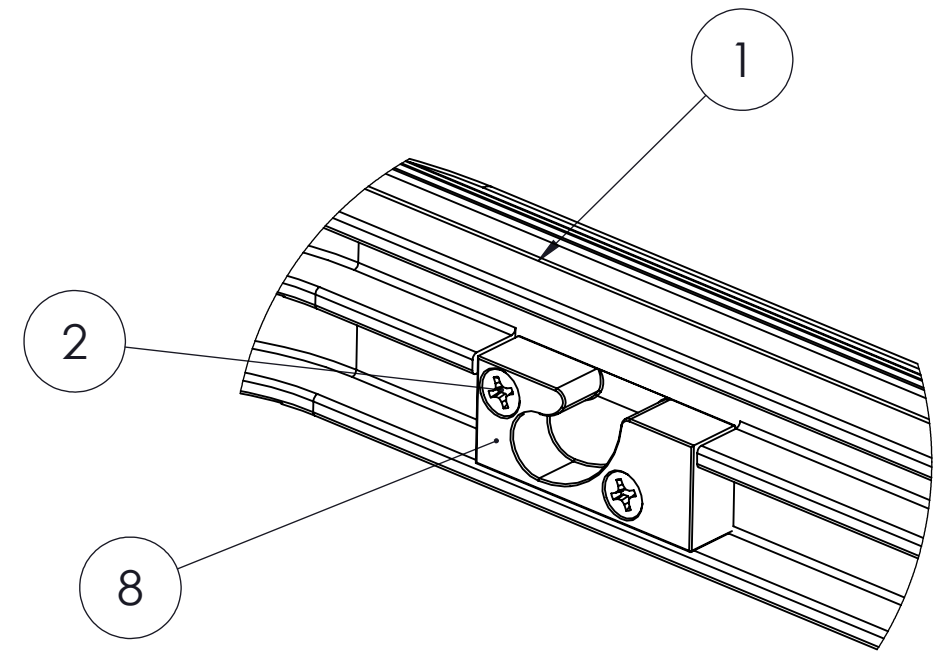
CUSTOMER	PROJECT			
This Drawing is the Property of Pompanette LLC All Rights Reserved, This Drawing and Information May Not Be Copied or Disclosed to Others Without Written Permission of Pompanette LLC			 Pompanette	
			CHARLESTOWN, N.H. PH. (603) 826 5791 TAMPA, FL. (813) 885-2182	
DESCRIPTION		N1486 MAIN ASSEMBLY		
MATERIAL		DRAWN BY	DRAWN DATE	SHEET
SEE BOM		SWG	7/19/2018	1 OF 1
CHECKED BY/DATE	SIZE	PART NUMBER		REVISION
	Ⓒ	N1486-10-107-004		
DO NOT SCALE				

ITEM NO.	QTY.	PART NUMBER	DESCRIPTION
1	1	W1486-TOP	SLIDING HATCH TOP FRAME
2	1	231486-107	ACRYLIC LENS
3	1	50582226	LO PRO 9mm GASKET
4	2	4300282	SHUTTLE ARM
5	8	4222045	THREAD FORMING SCREW FOR PLASTIC #8 X .38 LG
6	1	4352204	ULTRA GLAZE SSG4400
7	1	N14-DOGBAR-17.266	DOG BAR KIT 1486 SIZE
8	2	4300284	NUT PLATE, SLIDING HATCH
9	8	4229905	SCREW, PPHL PAN HD 10-24 X 5/8 BO
10	2	4292048	FOAM PAD, LENS

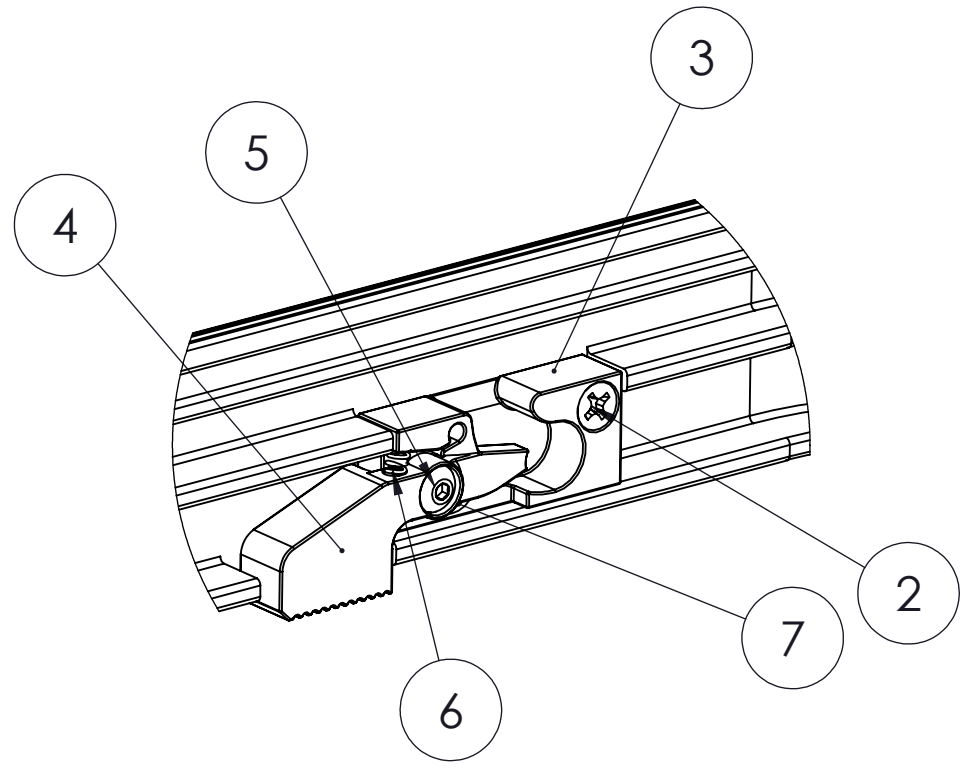
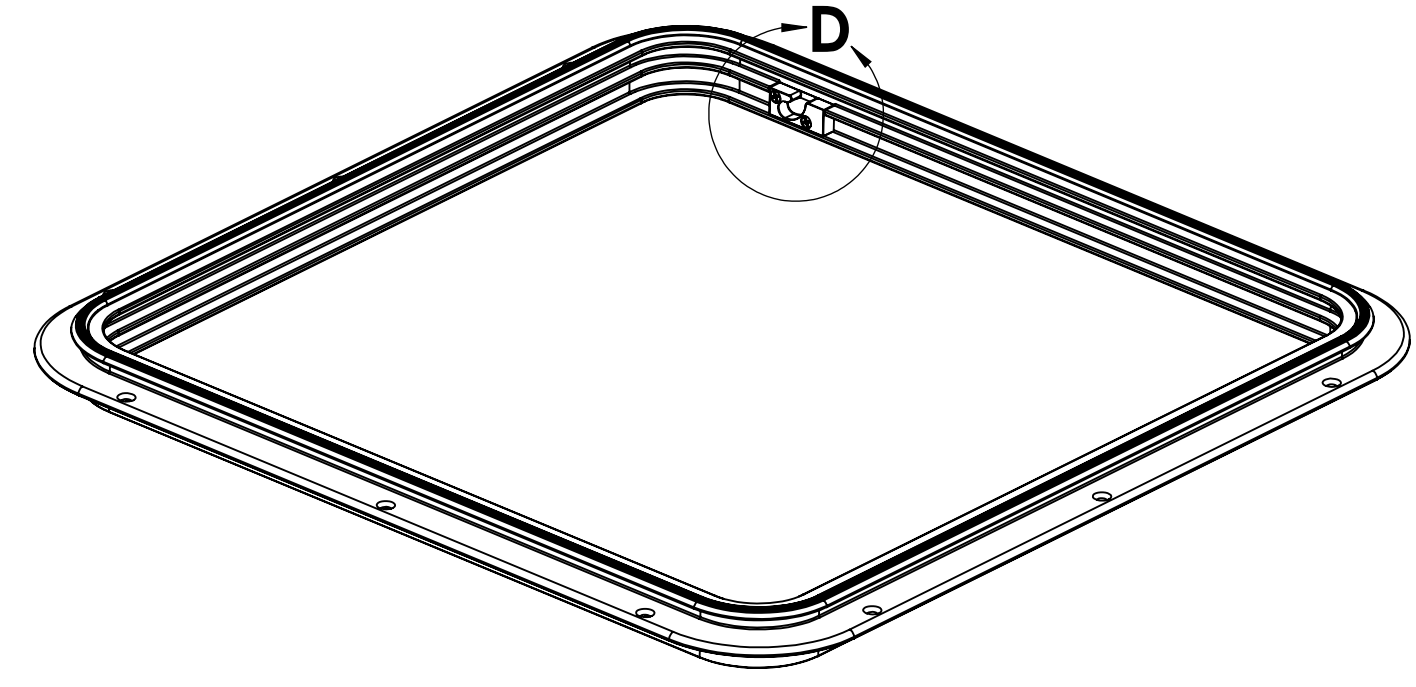
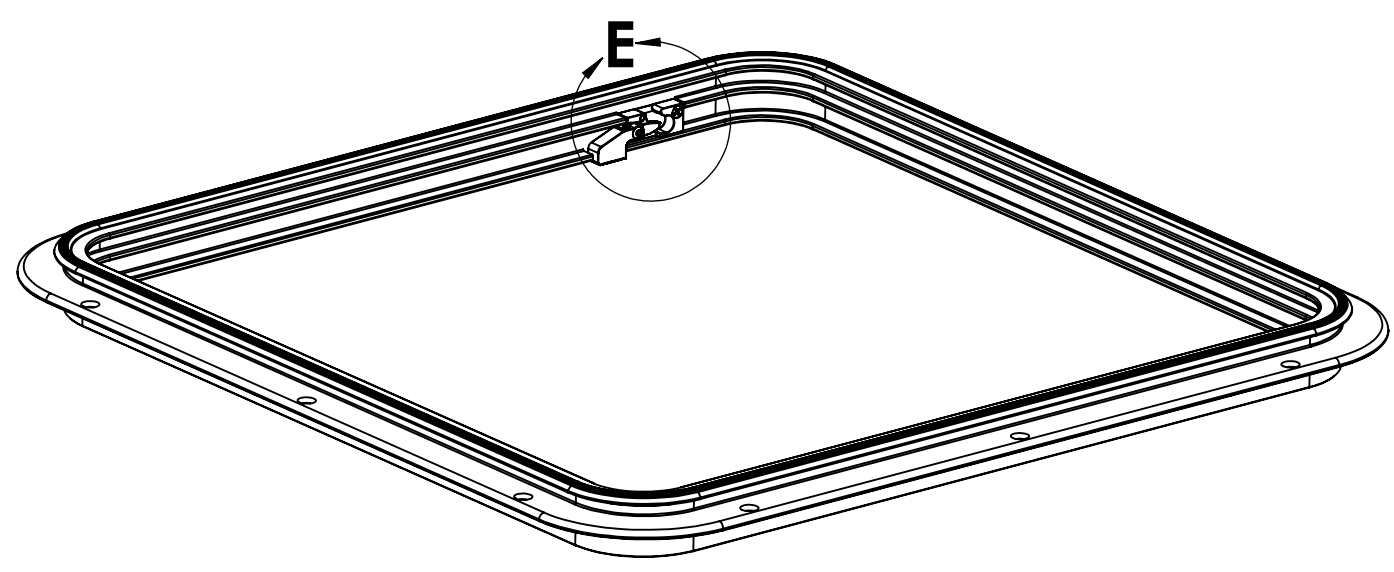


CUSTOMER		PROJECT		
This Drawing is the Property of Pompanette LLC				
All Rights Reserved, This Drawing and Information May Not Be Copied or Disclosed to Others Without Written Permission of Pompanette LLC		CHARLESTOWN, N.H. PH. (603) 826 5791 TAMPA, FL. (813) 885-2182		
DESCRIPTION		N1486 TOP ASSEMBLY		
MATERIAL		DRAWN BY	DRAWN DATE	SHEET
SEE BOM		SWG	7/19/2018	1 OF 1
CHECKED BY/DATE	SIZE	PART NUMBER		REVISION
	Ⓢ	N1486-TOP-107-004		
DO NOT SCALE				


ITEM NO.	QTY.	PART NUMBER	DESCRIPTION
1	1	W1486-10-BASE	SLIDING HATCH BASE FRAME
2	3	4222044	6-32 X 1/2 FLAT HEAD THREAD CUTTING SCREW
3	1	4300439	VENTED LOCK HOUSING
4	1	4300441	VENTING LOCK RELEASE
5	1	42322052	SCR, PAN HD SKT DRIVE #6-32 X 5/16" SS
6	1	4281935	SPRING, VENTING CAPTURE ASSEMBLY
7	1	20-1205	6-32 x 3/8" Ph Fl Hd MS SS
8	1	4300440	VENTING RETAINER HOUSING, NO LOCK



DETAIL D



DETAIL E

CUSTOMER	PROJECT			
This Drawing is the Property of Pompanette LLC				CHARLESTOWN, N.H. PH. (603) 826 5791
All Rights Reserved, This Drawing and Information May Not Be Copied or Disclosed to Others Without Written Permission of Pompanette LLC				TAMPA, FL. (813) 885-2182
DESCRIPTION		N1486 BASE ASSEMBLY		
MATERIAL		DRAWN BY	DRAWN DATE	SHEET
SEE BOM		SWG	7/19/2018	1 OF 1
CHECKED BY/DATE	SIZE	PART NUMBER		REVISION
	Ⓒ	N1486-10-BASE-004		
DO NOT SCALE				