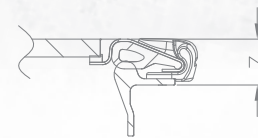
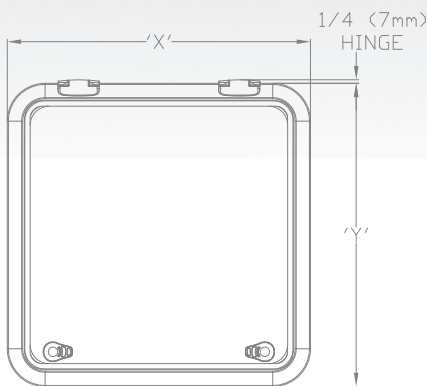


1700 Series - SS Base Frame



1800 Series - Aluminum Base Frame



SS Voyager Low Profile Series

HATCH #	HATCH #	Height Deck to Lid		Hatch Opening		Cutout		OD Deck Flange		OD Lid	
		Z	X	Y	X	Y	X	Y	X	Y	
S1700-10A	S1800-10A	7/8" 22mm	9 7/8" 251mm	9 7/8" 251mm	10 3/4" 273mm	10 3/4" 273mm	12 1/4" 311mm	12 1/4" 311mm	12 5/8" 321mm	12 5/8" 321mm	
S1729-10A	S1829-10A	7/8" 22mm	17 5/8" 251mm	12 1/2" 318mm	18 1/2" 470mm	13 3/8" 340mm	20" 508mm	14 7/8" 378mm	20 3/8" 518mm	15 1/4" 387mm	
S1739-10A	S1839-10A	7/8" 22mm	19 3/4" 491mm	19 3/4" 491mm	20 3/4" 513mm	20 3/4" 513mm	21 1/4" 551mm	21 1/4" 551mm	22 1/4" 560mm	22 1/4" 560mm	
S1770-10A	S1870-10A	7/8" 22mm	15 3/4" 400mm	15 3/4" 400mm	16 5/8" 422mm	16 5/8" 422mm	18 1/8" 461mm	18 1/8" 461mm	18 1/2" 470mm	18 1/2" 470mm	
S1780-10A	S1880-10A	7/8" 22mm	17 5/8" 448mm	17 5/8" 448mm	18 1/2" 470mm	18 1/2" 470mm	20" 508mm	20" 508mm	20 3/8" 518mm	20 3/8" 518mm	
S1786-10A	S1886-10A	7/8" 22mm	19 3/4" 487mm	19 3/4" 487mm	20 1/4" 510mm	20 1/4" 510mm	21 3/8" 548mm	21 3/8" 548mm	21 1/2" 557mm	21 1/2" 557mm	

NOTE: Cut Out Radius = 1 1/4"/43mm. O.D. Spigot Radius = 1 3/4"/44mm. Theoretical OD Lid Radius = 2 3/4"/704mm.
NOTE: 17XX Series has SS top on SS Base. 18XX Series has SS top on aluminum base.



STAINLESS STEEL LOW PROFILE features

- « 316L Stainless steel lid.
- « Extruded aluminum base (1800 Series).
- « Stainless Steel base (1700 Series).
- « Quick acting, adjustable tie down dogs.
- « Inside/outside opening.
- « Trim ring and screen available.
- « CE approval available. Please specify when ordering.
- « Acrylic lens.
- « Tempered Glass.

SS VOYAGERS Low Profile Series

SS VOYAGER Series

Mid Profile



SS Voyager Mid Profile Series

HATCH #	Height Deck to Lid	Hatch Opening		Cutout		OD Deck Flange		OD Lid	
	Z	X	Y	X	Y	X	Y	X	Y
2600-10A	1/4" 33mm	10 1/8" 262mm	10 3/8" 273mm	10 3/8" 273mm	10 3/8" 273mm	12 1/8" 316mm	12 1/8" 316mm	12 5/8" 321mm	12 5/8" 321mm
2601-10A	1/4" 33mm	7 13/16" 198mm	7 13/16" 198mm	8 1/4" 210mm	8 1/4" 210mm	9 1/2" 252mm	9 1/2" 252mm	10 1/8" 257mm	10 1/8" 257mm
2604-10A	1/4" 33mm	9 13/16" 249mm	9 13/16" 249mm	10 1/4" 260mm	10 1/4" 260mm	11 1/8" 303mm	11 1/8" 303mm	12 1/8" 308mm	12 1/8" 308mm
2606-10A	1/4" 33mm	8 3/4" 222mm	6 1/16" 170mm	9 3/8" 233mm	7 7/8" 181mm	10 7/8" 276mm	8 3/8" 224mm	11 1/8" 281mm	9" 229mm
2608-10A	1/4" 33mm	16 1/8" 410mm	6 1/2" 165mm	16 3/8" 421mm	6 15/16" 176mm	18 1/4" 464mm	8 5/8" 219mm	18 1/8" 468mm	8 3/8" 224mm
2609-10A	1/4" 33mm	13 1/2" 337mm	7 5/8" 194mm	13 1/4" 348mm	13 1/4" 205mm	15 5/8" 391mm	9 3/4" 248mm	15 5/8" 395mm	9 1/2" 252mm
2010-10A	1/4" 33mm	19 11/16" 500mm	10" 251mm	20 1/8" 511mm	10 5/8" 262mm	21 13/16" 554mm	12" 305mm	22" 559mm	12 3/8" 310mm
2011-10A	1/4" 33mm	13 13/16" 354mm	8 1/4" 221mm	14 3/8" 365mm	9 1/8" 232mm	16 1/4" 408mm	10 13/16" 275mm	16 1/4" 413mm	11" 279mm
2615-10A	1/4" 33mm	11 1/8" 294mm	11 1/8" 294mm	12" 305mm	12" 305mm	13 11/16" 348mm	13 1/4" 348mm	13 3/8" 352mm	13 3/8" 352mm
2619-10A	1/4" 33mm	19 1/2" 495mm	15" 381mm	19 15/16" 506mm	15 1/2" 392mm	21 5/8" 549mm	17 1/8" 435mm	21 13/16" 554mm	17 3/8" 440mm
2624-10A	1/4" 33mm	19 3/8" 498mm	12 1/8" 308mm	20 1/4" 510mm	12 3/4" 319mm	21 3/8" 421mm	14 1/4" 362mm	21 5/8" 557mm	14 1/8" 367mm
2628-10A	1/4" 33mm	17 5/8" 448mm	12 1/2" 318mm	18 1/8" 459mm	12 5/8" 329mm	19 3/8" 502mm	14 3/8" 371mm	19 15/16" 506mm	14 3/8" 376mm
2037-10A	1/4" 33mm	19 3/8" 498mm	14 1/2" 368mm	20 1/4" 510mm	14 13/16" 379mm	21 3/8" 552mm	17 1/8" 422mm	21 13/16" 557mm	16 13/16" 427mm
2639-10A	1/4" 33mm	19 3/4" 502mm	19 3/4" 502mm	20 3/8" 513mm	20 3/8" 513mm	21 7/8" 556mm	21 1/8" 556mm	22 1/8" 560mm	22 1/8" 560mm
2640-10A	1/4" 33mm	20" 508mm	14 15/16" 379mm	20 1/8" 519mm	15 3/8" 391mm	22 1/8" 562mm	17 1/4" 433mm	22 3/8" 567mm	17 1/4" 438mm
2648-10A	1/4" 33mm	24 3/8" 618mm	24 3/8" 618mm	24 3/8" 629mm	24 3/8" 629mm	26 1/4" 672mm	26 1/4" 672mm	26 3/8" 676mm	26 1/4" 667mm
2649-10A	1/4" 33mm	24 11/16" 627mm	24 1/16" 627mm	25 5/8" 638mm	25 5/8" 638mm	26 13/16" 681mm	26 13/16" 681mm	27" 686mm	27" 686mm
2670-10A	1/4" 33mm	16 3/8" 411mm	16 3/8" 411mm	16 5/8" 422mm	16 5/8" 422mm	18 3/8" 465mm	18 3/8" 465mm	18 1/2" 470mm	18 1/2" 470mm
2680-10A	1/4" 33mm	18 1/8" 459mm	18 1/8" 459mm	18 1/2" 470mm	18 1/2" 470mm	20 3/8" 513mm	20 3/8" 513mm	20 5/8" 518mm	20 3/8" 518mm
2681-10A	1/4" 33mm	31 3/8" 792mm	31 3/8" 792mm	31 5/8" 803mm	31 5/8" 803mm	33 3/8" 846mm	33 3/8" 846mm	33 1/2" 851mm	33 1/2" 851mm
2686-10A	1/4" 33mm	19 3/8" 497mm	19 3/8" 497mm	20" 508mm	20" 508mm	21 1/4" 551mm	21 1/4" 551mm	21 5/8" 557mm	21 3/8" 557mm
2639-10AXR ROUND	1/4" 33mm	19 3/8" 487mm	~	20 5/8" 516mm	~	21 5/8" 557mm	~	21 5/8" 557mm	~
2649-10AXR ROUND	1/4" 33mm	24" 610mm	~	25 5/8" 638mm	~	26 3/8" 679mm	~	26 3/8" 679mm	~

NOTE: Cut Out Radius = 1 1/8"/43mm. O.D. Spigot Radius = 1 3/4"/44mm. Theoretical OD Lid Radius = 2 3/4"/70mm

STAINLESS STEEL

HATCH

features

- « 316L Stainless Steel Lid.
- « Extruded aluminum base.
- « Patented. (16-1/2" and larger hatches only).
- « Quick acting, adjustable tie down dogs.
- « Inside/Outside opening.
- « Trim ring and screen available.
- « CE approval available. Please specify when ordering.

A mid profile hatch with a patented advantage

A more durable, higher quality hatch is simply not available. The VOYAGER series of hatches combines a mid-profile with a patented locking tie-down assembly and, on larger hatches, a patented spring arm that allows the hatch to open a full 180 degrees.



BOMAR BOWVB

Photo Credit: Chris Craft Boats