



A Division of Pompanette, LLC.

Corporate Headquarters
South West Street • Charlestown, New Hampshire • USA 03603
Mailing Address: P.O. Box 1200 • Charlestown, New Hampshire • USA 03603

Customer Service
T. 603.826.5791 • F. 603.826.4125
www.pompanette.com
email: bomar@pompanette.com

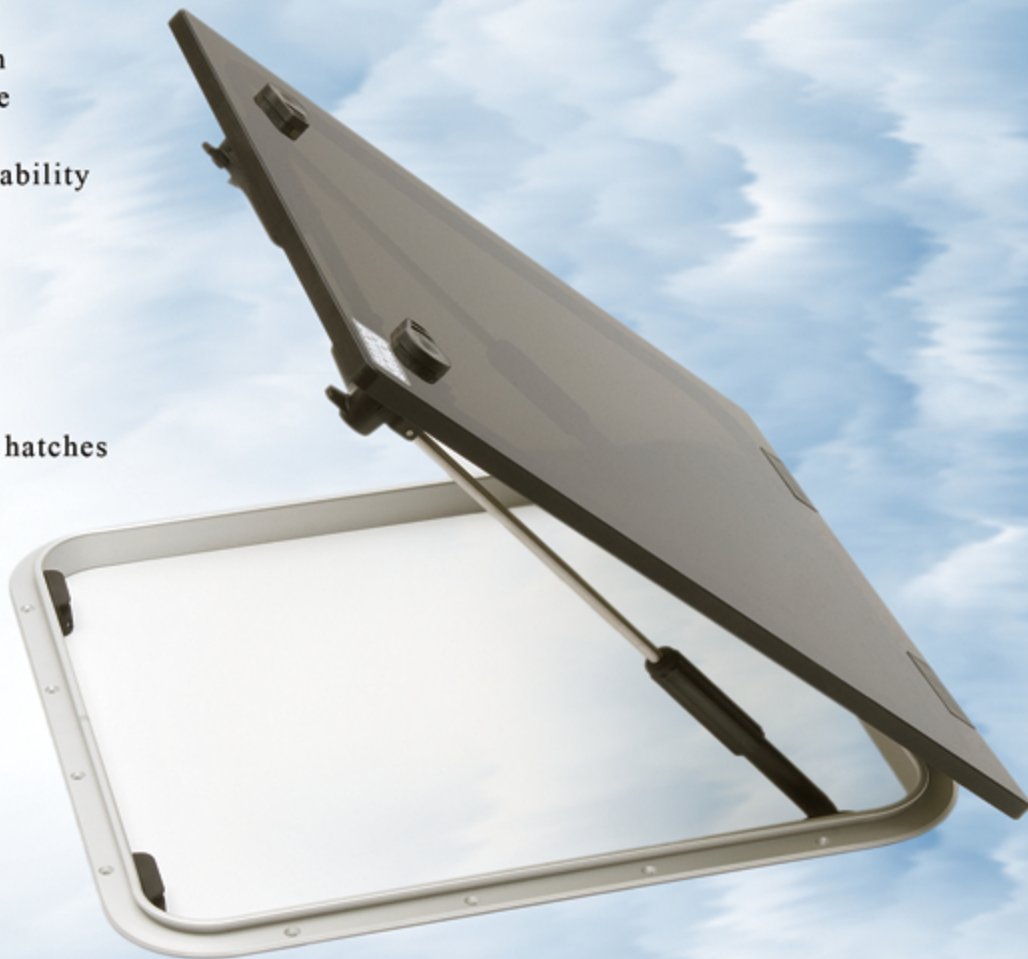
Bomar 3600 Series Flush Mount Hatch

The 3600 Series Flush Mount Hatch has been developed to accommodate the design interests of many boat manufacturers who are seeking the ability to create a “cleaner looking deck”.

Unlike traditional deck hatches, this hatch is designed to fit into a pre tooled deck recess and is not a direct replacement for traditional hatches of the same size.

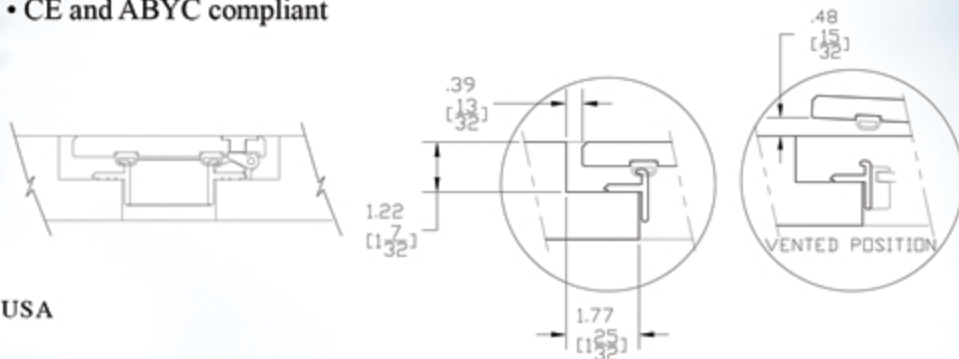
Available with a durable smoked grey or white acrylic lens, the 3600 series hatch provides a smooth clean look.

The 3600 series hatch is available in 5 standard sizes ranging from 10” x 10” to 20” x 20”. Custom sizes are available for orders of 50 pieces or more.



Standard Features:

- Heavy duty aluminum base available with clear anodized or powder coat finish
- Quarter turn locking collet arm that allows for easy lid adjustment
- Proprietary blended EPDM gasket system
- High strength ergonomic dog handles with inside outside opening feature
- CE and ABYC compliant



Manufactured in Charlestown, New Hampshire, USA
Pompanette, LLC